



# MN1604

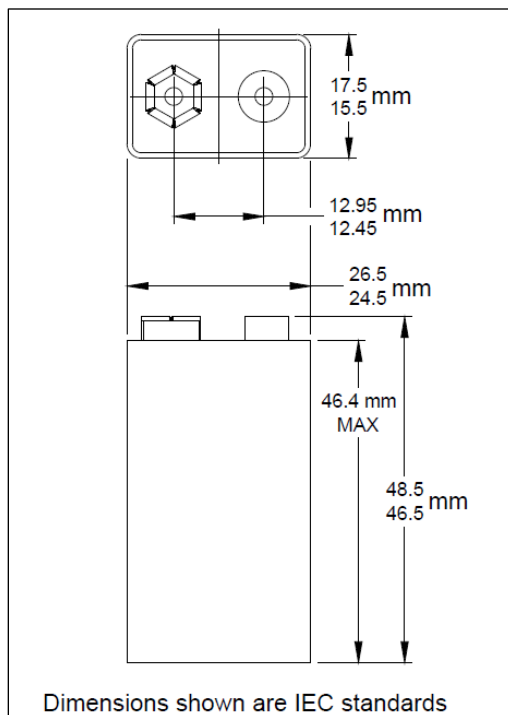
## Size: 9V (6LR61)

Alkaline-Manganese Dioxide Battery

Zn/MnO<sub>2</sub>



Nominal voltage	9 V
Impedance	1,700 m-ohm @ 1 kHz
Typical weight	46 g (1.7 oz)
Typical volume	22.8 cm <sup>3</sup> (1.4 in <sup>3</sup> )
Terminals	Miniature snap
Storage temperature range	6°C to 29°C (42°F to 85°F)
Operating temperature range	-18°C to 54°C
Designation	IEC: 6LR61



### USAGE GUIDE (Please refer to IEC60086.5 for detailed safety and storage specifications.)

- (1) Insert batteries correctly with regard to the polarities (“+”/“-”) marked on the battery and the electrical appliances.
- (2) Do not short-circuit, recharge, heat, disassemble the battery, or dispose of in fire.
- (3) Do not mix use old batteries with new ones, or mix use batteries of different types, chemistries or brands.
- (4) Exhausted batteries should be immediately removed from the equipment.
- (5) Keep the batteries away from small children. Do not let the child remove/replace batteries without monitoring from adults.
- (6) Storage temperature: 6°C~29°C, and humidity conditions RH: 40%~90%.



Berkshire Corporate Park  
Bethel, CT. 06801 U.S.A.  
Telephone: Toll-free 1-800-544-5454  
www.duracell.com

Delivered capacity is dependent on the applied load, operating temperature and cut-off voltage. Please refer to the charts and discharge data shown for examples of the energy/service life that the battery will provide for various load conditions.

